

8516 SR and RR Series Hybrid NVRs

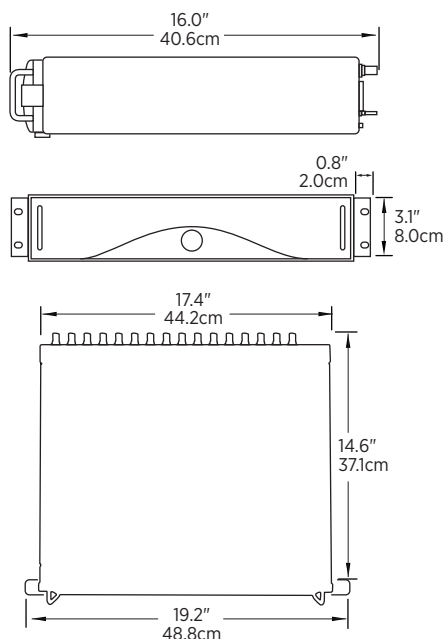
16-Channel Recording Platform with Integrated RAID5

SR-series

RR-series



This recorder's full hybrid capabilities can bring you from 100% analog to 100% IP at your own pace. The recorder is scalable, reliable, backward-compatible and purpose-built for all your video, security, and management needs. And it is equipped with a host of advanced features to safeguard your data and streamline the task of finding video evidence. An integrated RAID controller further increases the recorder's resilience, providing you with worry-free coverage.



Key Benefits

- ▼ **Integrated RAID controller.** RAID5 offers the best overall balance of data protection and performance, and makes the most efficient use of drive capacity.
- ▼ **Embedded, Linux-based, and purpose-built.** Customers can spend more time performing investigations and less time dealing with maintenance issues that can plague a PC-based recorder.
- ▼ **All camera licenses included.** No need to pay for separate channel licenses; benefit from a full-featured recording platform right out of the box.
- ▼ **System-wide health monitoring.** March Networks® Command™ Enterprise Software equips users with the features and tools they need to easily manage their entire surveillance system, including, daily backups, user administration, and upgrades/patches.
- ▼ **Docking Station.** All connections are clean and securely connected to the back of the unit for quick installation and removal of the recorder (for service and maintenance).
- ▼ **QR Code.** Use March Networks' free GURU Smartphone App to scan the recorder's front panel QR code for instant product information, like serial number, warranty information, etc.
- ▼ **Integrate surveillance video with POS, teller, ATM, RFID and access control data.** Customers can combine the recorder with March Networks Searchlight™ for alerts about potential theft, and powerful search tools that reduce investigation times from hours to minutes.

Get video that's there when you need it, and the advanced tools that allow you to quickly find the evidence you need.

8516 SR and RR Hybrid NVRs

MODELS

8516 RR Series	16 channels, 15fps, rack mount, integrated RAID
8516 SR Series	16 channels, 15fps, stacked, integrated RAID

VIDEO

Maximum Inputs	16 (fully licensed); recorder accommodates any combination of up to 16 analog or IP cameras
Analog Capacity	16 (8 port modules)
IP Capacity	16 (if analog inputs disabled)
Compression	Analog (H.264), IP (camera dependent)
Total Capture Capacity	Up to 80 Mbps
Video Output	HDMI, Coax

AUDIO

Analog Audio Inputs	4, unbalanced, 10kΩ, 1Vp-p typical
Analog Audio Outputs	2, unbalanced, 600Ω, 1Vp-p
Analog Audio Codec	G.711, 8 bit/8kHz, 64 kBit/s, unidirectional

ALARM INPUTS/OUTPUTS

Alarm Inputs	4 current loop inputs, supporting open and closed detection
Relay Outputs	2 relay switch outputs (30VDC, 1A); programmable event driven

NETWORK

Corporate Network	1 port GigE Ethernet (RJ-45)
Camera Network	1 port GigE Ethernet (RJ-45)
Security	Industry standard TLS 1.2 with strong AES encryption, HTTPS encryption, strong hashing algorithms SHA256, continuous security vulnerability assessment
Internet Protocol	IPv4

SYSTEMS / NETWORK MANAGEMENT

Bandwidth Throttle	Yes (can include exceptions on a per-IP address basis)
Bandwidth Scheduling	Yes
Adaptive Bandwidth	Yes
Remote Connection	TCP/IP (IPv4)
Concurrent Remote Connections	No set limit
Internal Battery	Enables systematic shutdown; no external UPS communication required

USB 2.0

Back	2 (local control mouse)
Front	2 (video export)

STORAGE

Internal Hard Drives	Up to 4 (2TB, 4TB, 6TB, 8TB, 10TB or 12TB)
Drive Type	3.5" Serial ATA (SATA)
RAID	RAID5 support utilizing 4 hard drives

ANALYTICS

Included	Motion detection
Optional	Camera obstruction, field-of-view monitoring, trip wire, loitering, presence detection

PHYSICAL

Dimensions (HxWxD)	
R-series	3.1 x 17.4 x 16.0 in (8.0 x 44.2 x 40.6 cm)
S-series	3.2 x 16.9 x 16.0 in (8.1 x 43.0 x 40.6 cm)
Mounting	
R-series	2U high, 19" rack, wall mount and desktop
S-series	Wall mount and desktop
Weight	
R-series	18.5 lbs (8.4 Kg) (with docking station)
S-series	13 lbs (5.9 Kg) (no docking station)
Hard Drive	Add 6 lbs (2.8 Kg) per HDD

ENVIRONMENTAL

Operating Temperature	5°C to 40°C (41°F to 105°F)
Heat Dissipation	Maximum 307 BTU per hour (system plus 4 hard drives)
Humidity	5% to 95% RH (non-condensing)
Storage Conditions	-40°C to 70°C (-40°F to 158°F)

ELECTRICAL

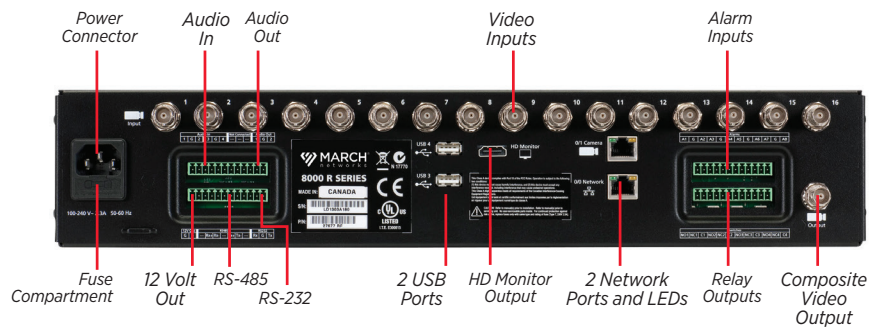
Internal Power Supply	115/230 VAC (auto-sensing), 2.3A, 50-60Hz
Power Consumption	90W Max

REGULATORY

Safety	IEC60950-1 (ed.2), UL 60950-1 (ed.2), CSA C22.2 No. 60950-1-07 (ed.2)
EMC	FCC 47 CFR Part 15, Subpart 15, ICES-003, EN55022, CISPR 22, AS/NZS CISPR 22, EN61000-3-2, EN 61000-3-3, EN50130-4, EN55024
Compliance Marking	CE-mark, cULus, C-tick, WEEE

3-year warranty on all recorders:

- Options for Repair & Return or Advance Replacement
- March Networks incurs all shipping costs—both ways—for AR's
- All recorder components are covered, including HDDs



North America 1 800 563 5564
 Latin America +5255 5259 9511
 Europe +39 0362 17935
 Asia +65 6818 0963
 Australia and New Zealand +61 1300 089 419
 Middle East and Africa +971 4 399 5525

© 2019 March Networks. All rights reserved. Information in this document is subject to change without notice. MARCH NETWORKS, March Networks Command, March Networks Searchlight, March Networks RideSafe, and the MARCH NETWORKS logo are trademarks of March Networks Corporation. All other trademarks are the property of their respective owners. 060-3330-00-E marchnetworks.com

